

CargoMaster BA350

Transport heavy loads safely upstairs and downstairs

To transport heavy loads up- and downstairs is one of the most difficult challenges of transportation. In most cases two people have to tackle the goods. Back and joints are unduly strained and accidents happen more easily — the CargoMaster relieves your back and your wallet.

The CargoMaster transports virtually all heavy goods over stairs with ease, speed, reliability and little physical power. Generally one person is sufficient to operate the device. The BA350 is particularly suited to transport extremely heavy, wide and high goods. In such situations safety and stability are of the highest priority.

The BA350 is our special device for really heavy goods. It transports loads up to 350 kg and is, therefore, ideal for heating boilers, copying machines, vending machines, slot machines, stoves, and much more.

Advantages that convince

- High maneuverability, even on narrow spiral stairs and landings
- Adjustable plate and grips to find the ideal center of gravity
- The range with the heaviest load lies at over 330 steps with one battery charge.





350kg

No more anxiety before heavy tours -

With the BA350

For particularly tricky situations the BA350 is equipped with a single step mode. The continuously adjustable speed helps to adjust the CargoMaster individually to any particular situation. The solid rubber tires make the CargoMaster failsafe — even under long-term stress for the tires.

The powerful electric drive is provided with energy by an easily removable battery pack, out of reach for the competition in terms of range.



With the plate, adjustable in height, the center of gravity can also be adjusted.

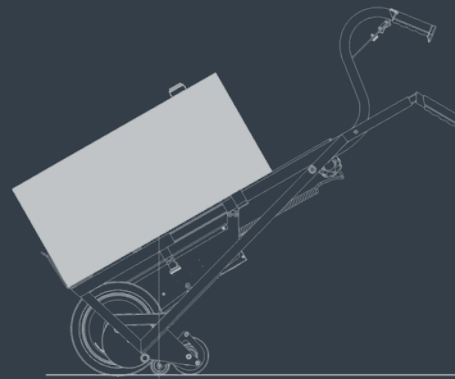




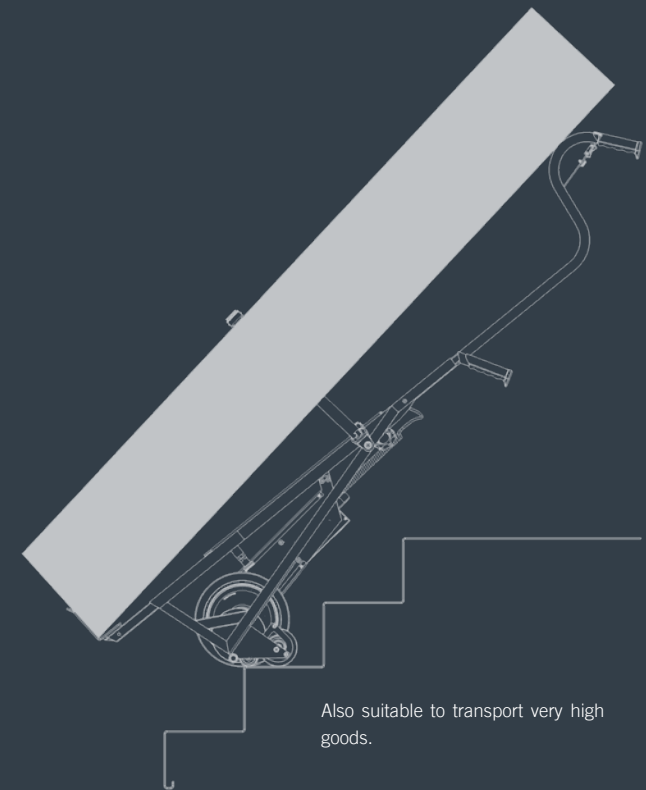
Due to the grips, adjustable in height, and the adaptable plate, the **BA350** can be easily adjusted to the user's height and the respective situation of transportation.

Thus, even very high goods can be transported. On level ground you can also use the CargoMaster like a pushcart.

With inserted grips and folded plate, the **BA350** has a pack size of 1190 x 590 x 520 mm, and thus fits easily into even small vehicles of transportation.



Depending on the goods and the center of gravity, the CargoMaster **BA350** can be parked on the stairs. Also pushing on level ground is possible in this position without great physical effort.



Also suitable to transport very high goods.



The CargoMaster **BA350** owes its high maneuverability on narrow stairs or landings to its low wheelbase and its innovative brake system. Changing position on the stairs is thus possible at all times.

Due to the great ground clearance the models of the A-series are also suitable in construction.

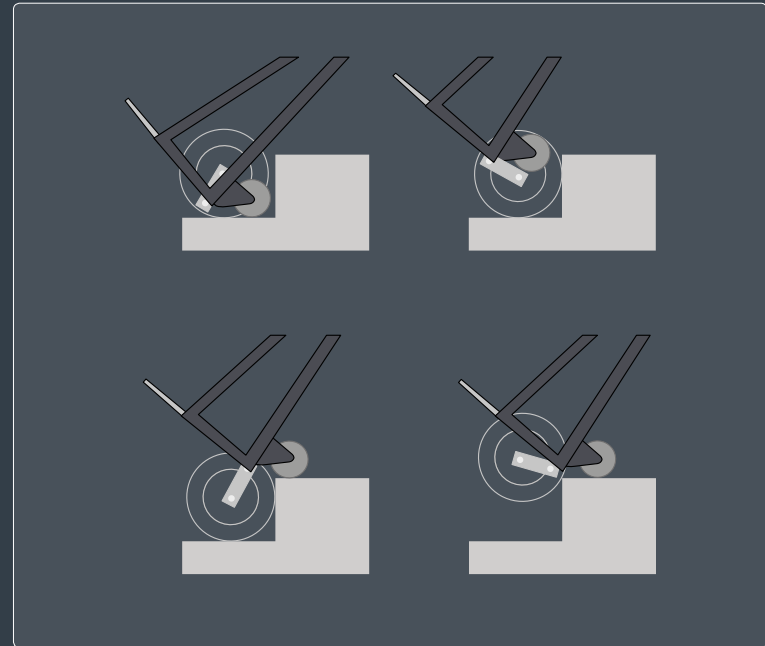
When before two persons were necessary to carry something, the CargoMaster climbs and descends effortlessly upstairs and downstairs operated by one user only. The stair climber for professionals relieves your employees' health and cuts down on personnel because with the stair climber in most cases one person is sufficient for operation. So the device quickly pays for itself.



High ground clearance.



Continuously adjustable climbing speed.



Standard equipment

The delivery package includes one stair climber (BA142 or BA350) with standard plate (12 cm), battery pack, charger, and lashing strap. The stair climber BA350 comes in two colors; you have a choice of either grey or orange.



Intelligent accessories —

For all situations of transportation

Item number		BA142			BA350		
Transportation wheel		-			100529		
Vertical lift		-			100399		
Auxiliary stairs	Steps	3 steps	4 steps	5 steps	3 steps	4 steps	5 steps
	Regular support	100017	100018	100126	100017	100018	100126
	Extended support	100325	100326	100522	100325	100326	100522
Stairs for extremely heavy goods	Extended support	104089	104004	104118	104089	104004	104118



Auxiliary stairs, made of steel, takes a load of up to 350 kg

Thanks to these stairs your transporter or delivery vehicle can easily be loaded and unloaded with the CargoMaster. Trunk sills between 480 – 900 mm in height are possible. If your vehicle sports a tow-bar, you need auxiliary stairs with the extended support.



Auxiliary stairs for very heavy goods with extended support, made of steel, takes a load of up to 500 kg.

Suitable for the transportation of very heavy goods.



Transportation wheel

With this transportation wheel loads can be pushed on level ground with very little physical effort. Thus, very quickly you can switch from stair climbing to wheeling goods on level ground. Also, higher goods can be transported through doors that way.



Battery pack

Additional battery pack for continuous operation.



Charger

Additional charger.



Charging cable for the car

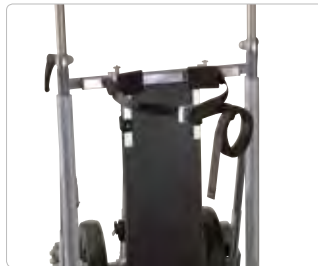
Available in 12 V or 24 V.

Item number	Battery pack	Charger	Charging cable for the car		Supporting bow	Support for round containers	Back wall		Platform	
			12 V	24 V			Teppich	Gummi	Filz	Gummi
BA142	100020	100027	100022	100024	100019	100010	100074	100203	100006	100149
BA350	100020	100027	100022	100024	100075	100010	100234	100204	-	-



Supporting bow

This is suitable to transport high goods. Easy assembly due to gripper clamps on the bars of the grips. This helps to optimize the load's center of gravity for easy handling.



Support for round containers

Support for round containers with a diameter of 150 – 800 mm. Easy assembly by inserting.



Back wall

Protects the load from scratching or sliding through. Available with a rubber or felt cover.



Platform

For special horizontal transportation. Available with rubber or felt cover.



Vertical lift (manual)

This vertical lift is simply attached to the CargoMaster BA350. This way you can lift goods of up to 350 kg up or down from shelves, etc. With a crank handle the load is lifted up to the desired height (maximum of 65 cm). This lift is ideal, e.g. for stove makers.

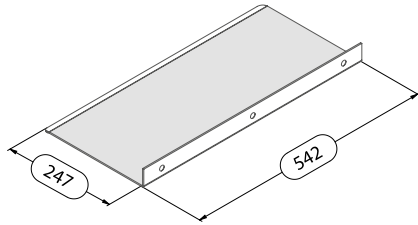
Range of toe plates

CargoMaster BA142

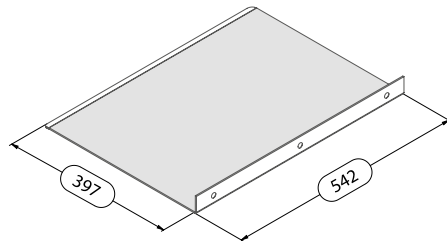
Toe plates with a depth of 250 mm and 400 mm are available. These are simply screwed on.

Support	Toe plate, 25 cm	Toe plate, 40 cm
Item number	100007	100311

Toe plate, 25 cm
542 x 247 mm



Toe plate, 40 cm
542 x 397 mm



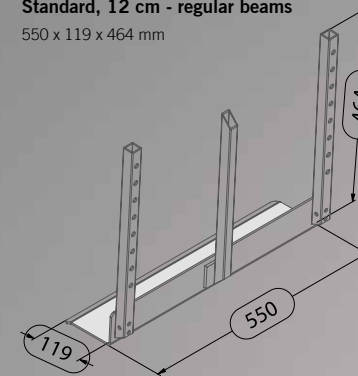
Range of toe plates

CargoMaster BA350

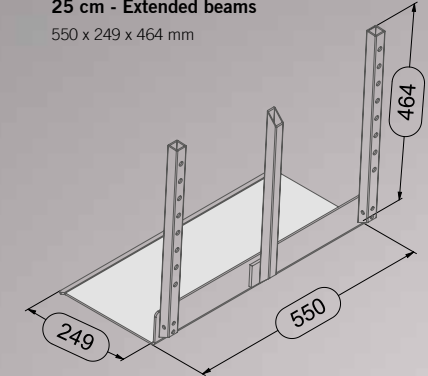
The toe plates of the A350 are adjustable in height. Please choose the appropriate plate for your particular situation of transportation from our wide range of plates.

Toe plate		Standard, 12 cm		25 cm	
Beams		regular *)	extended **)	regular	extended **)
Item number	instead of the standard plate	-	100153	100008	100206
	additional	100308	100298	100009	100205

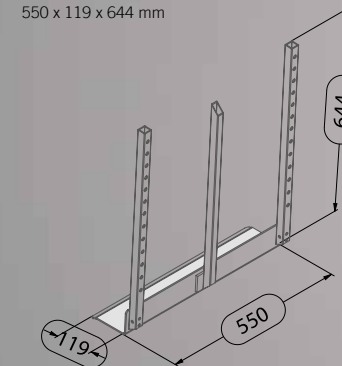
Standard, 12 cm - regular beams
550 x 119 x 464 mm



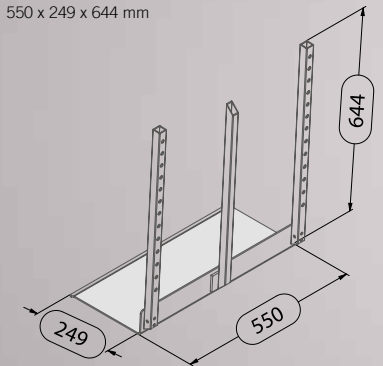
25 cm - Extended beams
550 x 249 x 464 mm



Standard, 12 cm - Extended beams
550 x 119 x 644 mm



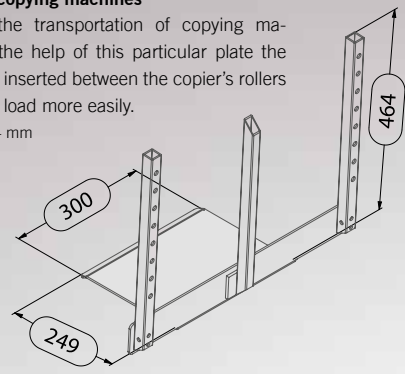
25 cm - Extended beams
550 x 249 x 644 mm



Toe plate for copying machines	Toe plate with rollers
regular	regular
100465	100528
100466	100527

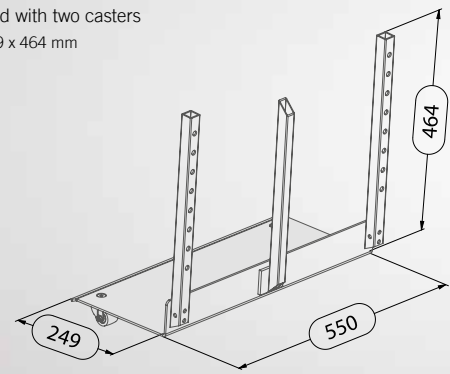
Toe plate for copying machines

Suitable for the transportation of copying machines. With the help of this particular plate the device can be inserted between the copier's rollers to take up the load more easily.
300 x 249 x 464 mm



Toe plate with rollers

Equipped with two casters
550 x 249 x 464 mm



*) Included in the delivery package

**) The plate can be set lower because of the extended beams. This is particularly useful when transporting high goods in order to manipulate the center of gravity.

In addition, we are happy to produce special plates for your particular demands.

Technical data	BA142	BA350	BC141	BC141 Vario	BCC160	BCC200	BC400	Vario-max
Lifting capacity	140 kg	350 kg	140 kg	140 kg	160 kg	200 kg	400 kg	170 kg / 160 kg *
ComfortStep	-	-	-	-	•	•	-	-
Battery display	-	-	-	-	•	•	-	-
Climbing speed / steps per minute (continually adjustable)	8 — 25	4 — 10	8 — 30	8 — 30	9 — 26	4 — 19	3 — 8	8 — 23
Range with one charge of the battery (Floors, depending on load)	30 — 50 Corresponds to: 80 kg approx. 1110 Steps 140 kg approx. 720 Steps	15 — 30 Corresponds to: 200 kg approx. 650 Steps 250 kg approx. 540 Steps 350 kg approx. 330 Steps	15 — 30	15 — 30	15 — 30	15 — 30	8 — 15	10 — 25
Height	1100 - 1700 mm	1195 - 1785 mm	1380 mm	1060 — 1400 mm	1065 — 1490 mm	1065 — 1490 mm	1512 mm	1060 — 1400 mm
Width	580 mm	590 mm	450 mm		466 mm	466 mm	564 mm	450 mm
Depth	470 mm	520 mm	300 mm		290 mm		782 mm	550 mm
Batteries	2 x 12 V / 7,2 Ah		2 x 12 V / 5 Ah					
DC motor	24 V							
Weight, battery pack	6 kg		4,1 kg					
Total weight (including battery pack)	32 kg	46 kg	25,5 kg	26,7 kg	28,5 kg	29,9 kg	84,3 kg	35 kg

*Maximum lifting capacity (passenger transportation)