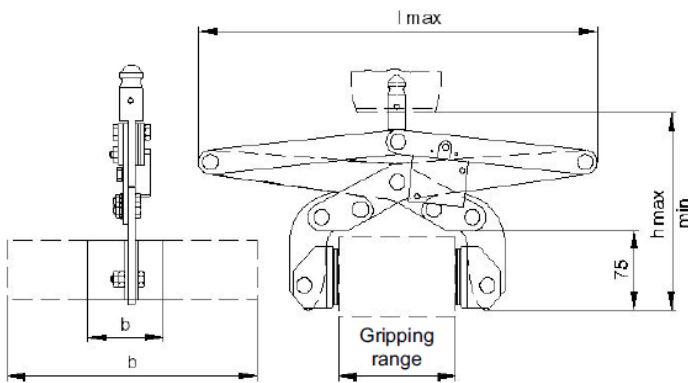
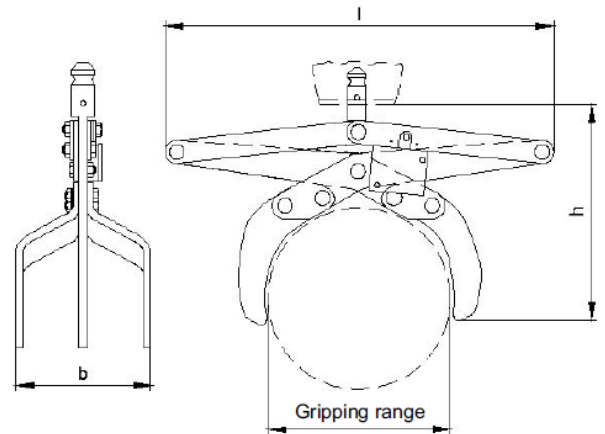


# Working with ease... Safe - Productive - Efficient



**SZ 1/SZ 2**



**SZ 1 - R/SZ 2 - R**

Range	Gripping range	b	l max	h min	h max	Size	Part no.	Weight [kg]
			[mm]					
SZ 1	60 - 80	60	368	190	265	SZ 1-08-1	565 701 44	3,5
	80 - 105					SZ 1-10-1	565 601 44	
	105 - 130					SZ 1-13-1	565 702 44	
	130 - 155					SZ 1-15-1	565 602 44	3,7
	155 - 180					SZ 1-18-1	565 703 44	
	180 - 205					SZ 1-20-1	565 603 44	
	60 - 80	200		190	265	SZ 1-08-2	565 704 44	4,3
	80 - 105					SZ 1-10-2	565 604 44	
	105 - 130					SZ 1-13-2	565 705 44	
	130 - 155					SZ 1-15-2	565 605 44	4,5
	155 - 180					SZ 1-18-2	565 706 44	
	180 - 205					SZ 1-20-2	565 606 44	
Ø 40 - 150	120	225	420	SZ 1-R-15	565 608 44	4,0		
SZ 2	140 - 210	60	519	190	415	SZ 2-21-1	565 712 44	4,7
	210 - 275					SZ 2-27-1	565 612 44	
	275 - 340					SZ 2-34-1	565 613 44	
	140 - 210	200		190	415	SZ 2-21-2	565 715 44	5,4
	210 - 275					SZ 2-27-2	565 615 44	
	275 - 340					SZ 2-34-2	565 616 44	5,7
	Ø 100 - 300					160	325	620

THIS QUOTATION IS IN ACCORDANCE WITH MATERIALS HANDLING PTY LTD STANDARD TERMS AND CONDITIONS OF SALE - COPY AVAILABLE UPON REQUEST