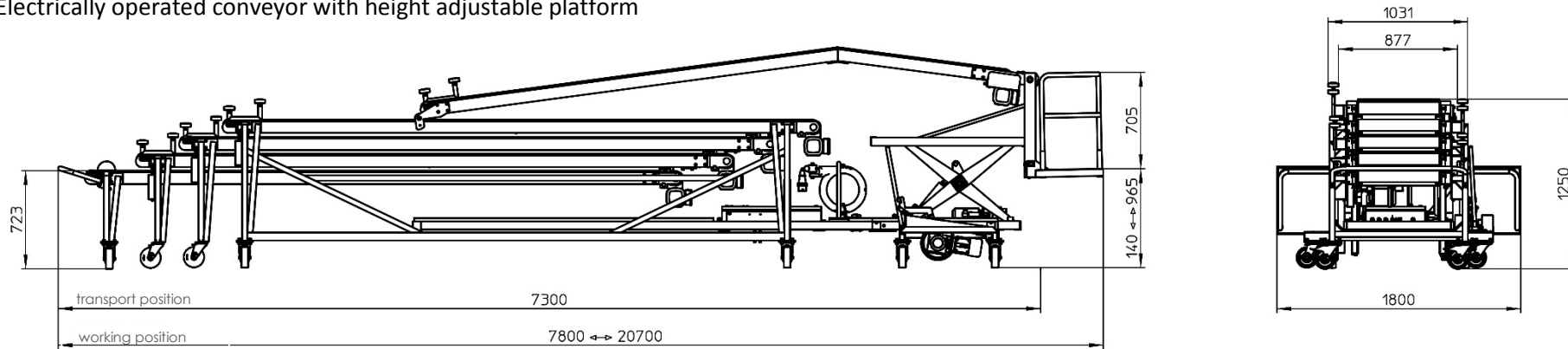


Technical data sheet

Type: 681000 Unloading conveyor long: unloading of tyres

Electrically operated conveyor with height adjustable platform



Technical data

Adjustable lift height: 825mm

Belt speed: variable from 0,3m/s - 0,7m/s

Min. ambient temperature: -15°C

Max. ambient temperature: 50°C

Protection class: IP54

Electrical data

Network voltage/ frequency: 380V ~ +/-5%, 50Hz +/-2%

Power : Max. 2,0KW / rated power 1,6KW

Wall device plug: CEE 400V, 16A, 5Pin (3L+N+PE)

Motors: SEW 380V

Belt: modular belt

Hydraulic power unit: 380V

Dimensions

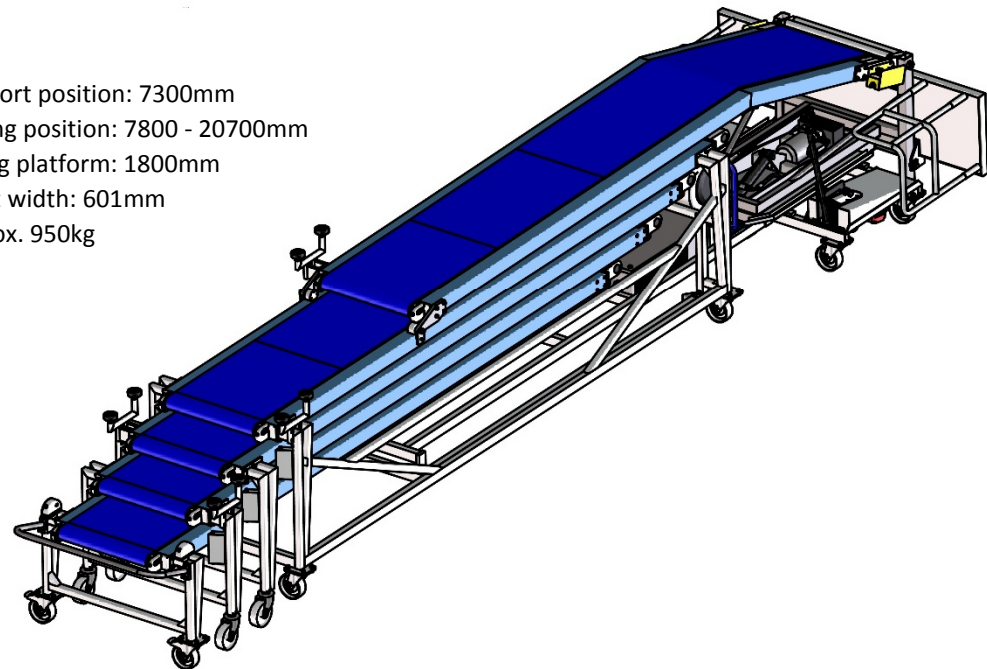
Length transport position: 7300mm

Length working position: 7800 - 20700mm

Width working platform: 1800mm

Conveyor belt width: 601mm

Weight: approx. 950kg



MATERIALS
Handling *Working with ease...*
PTY LTD

Our website: www.materialshandling.com.au
Phone us: 1300 65 00 35 Fax us: 1800 68 68 96
Email us: sales@materialshandling.com.au

Australia Wide Sales and Service