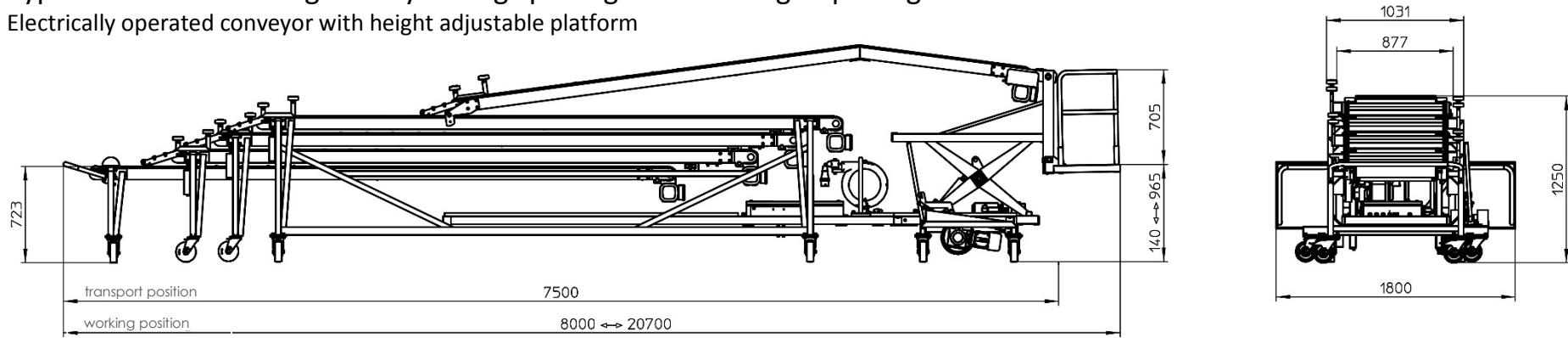


Technical data sheet

Type: 687000 Unloading conveyor long "package": unloading of packages

Electrically operated conveyor with height adjustable platform



Technical data

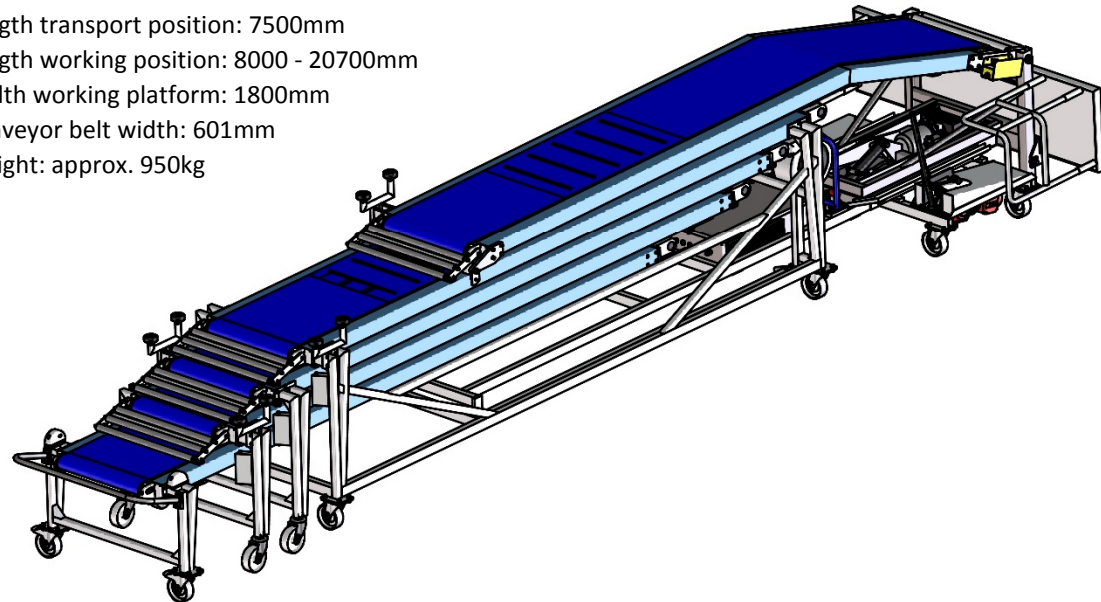
Adjustable lift height: 825mm
Belt speed: variable from 0,3m/s - 0,7m/s
Min. ambient temperature: -15°C
Max. ambient temperature: 50°C
Protection class: IP54

Dimensions

Length transport position: 7500mm
Length working position: 8000 - 20700mm
Width working platform: 1800mm
Conveyor belt width: 601mm
Weight: approx. 950kg

Electrical data

Network voltage/ frequency: 380V ~ +/-5%, 50Hz +/-2%
Power : Max. 2,0KW / rated power 1,6KW
Wall device plug: CEE 400V, 16A, 5Pin (3L+N+PE)
Motors: SEW 380V
Belt: modular belt with rubber inlays
Hydraulic power unit: 380V



MATERIALS
Handling *Working with ease...*
PTY LTD

Our website: www.materialshandling.com.au
Phone us: 1300 65 00 35 Fax us: 1800 68 68 96
Email us: sales@materialshandling.com.au

Australia Wide Sales and Service