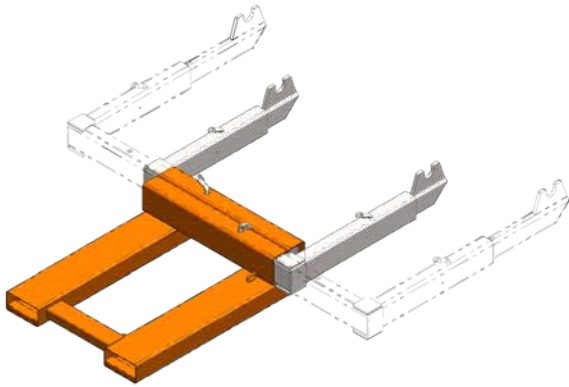


FORKLIFT CABLE DRUM LIFTER MDEX SPECIFICATIONS



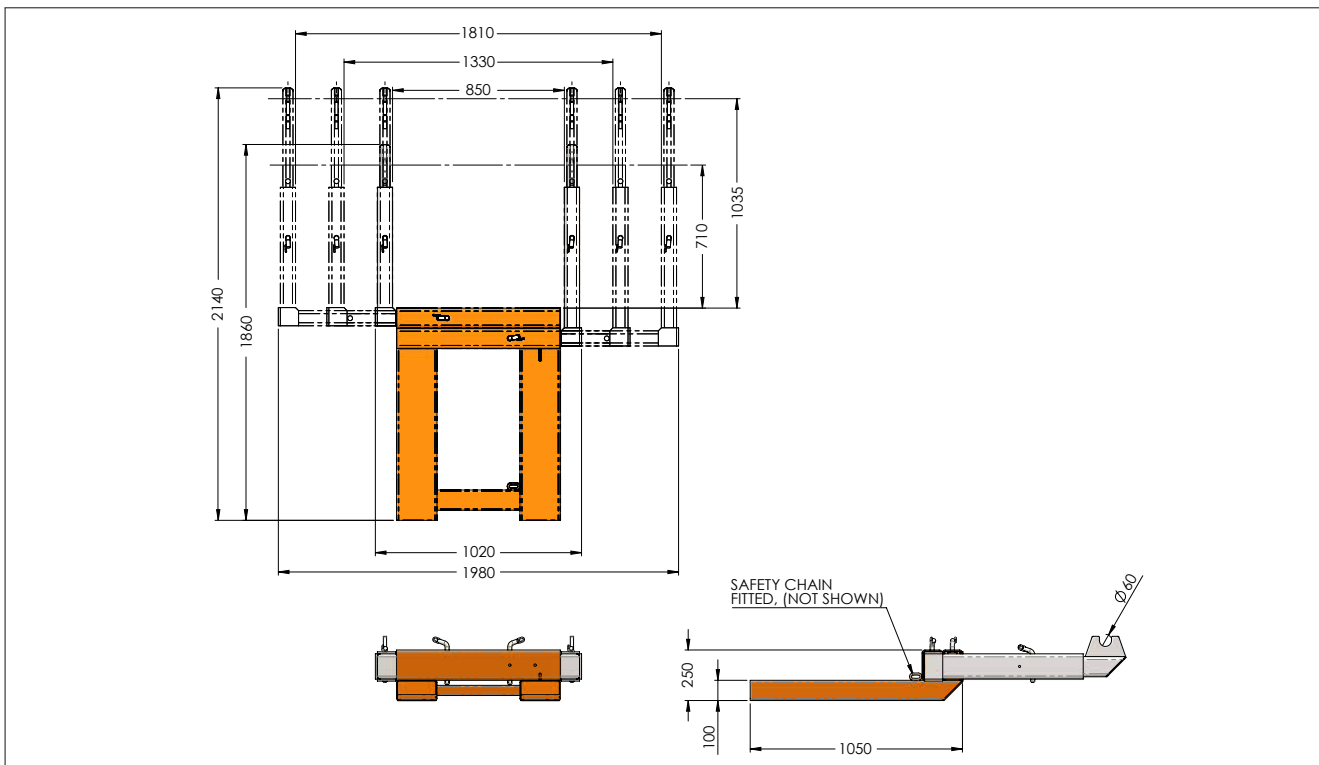
The MDEX Extendable Cable Drum Lifter is designed to safely lift and transport cable drums of various sizes by forklift.

Features:

- Ideal for heavy or large diameter cable spools
- Arms adjustable to 3 positions wide and 2 long to suit varying reel sizes
- Slip-on attachment and safety chain allows quick connection to a forklift
- Also available in a 2 tonne model (MDEX2)
- Enamel paint finish frame, zinc finish telescopic arm



Working Load Limit (WLL)	1000kg
Load Centre (Retracted / Extended)	1760mm / 2085mm
Maximum Spindle Diameter	60mm
Maximum Reel Diameter	2000 mm
Inside Clearance	850-1810mm
Unit Weight	175kg
Fork Pocket Size	185 x 65mm
Fork Pocket Centres	610mm
Horizontal C of G	1015mm
Vertical C of G	50mm



Australia Wide Sales & Service

sales@materialshandling.com.au | www.materialshandling.com.au | 1300 25 84 07

MATERIALS
Handling PTY LTD Working with ease.