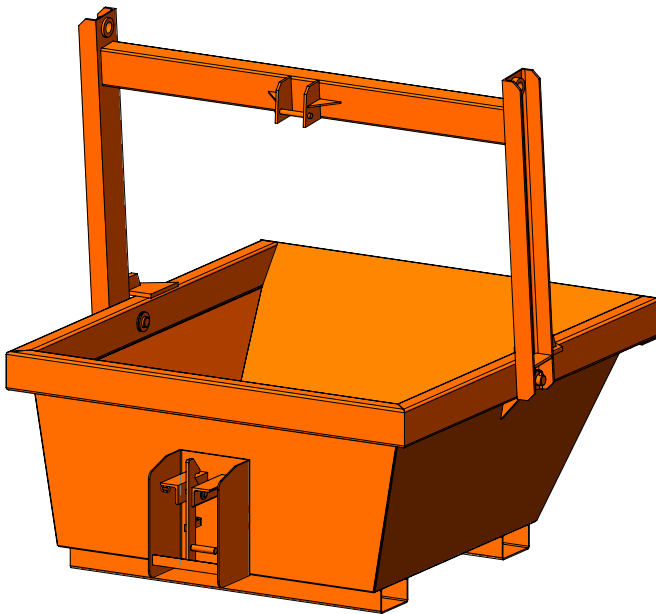


BULK WASTE CRANE BINS MBWB20 SPECIFICATIONS



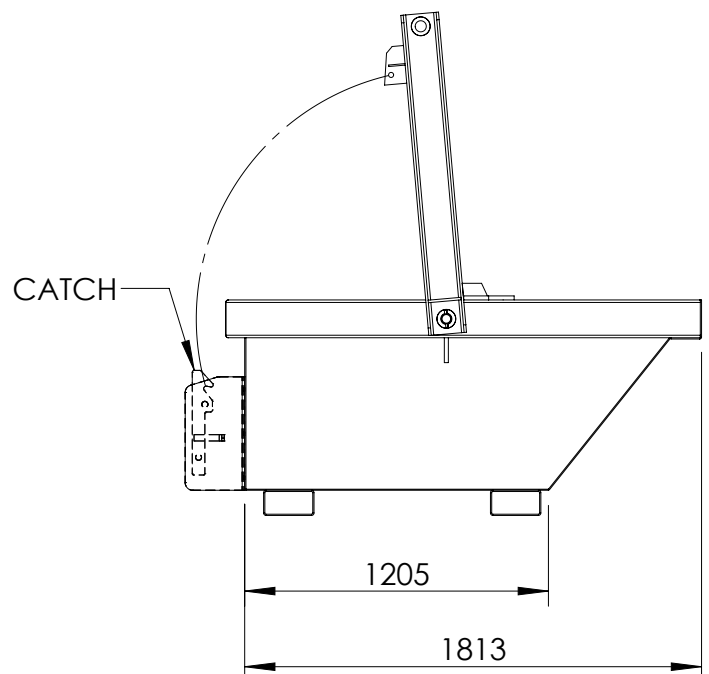
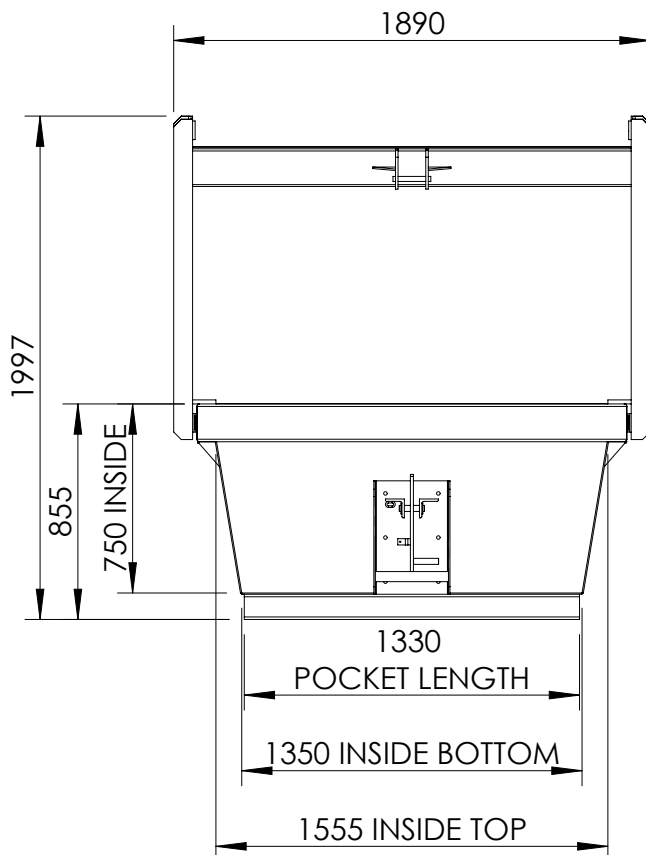
The type MBWB20 Bulk Waste Bin is ideal for building and mining sites using overhead cranes. This Bin is designed to suit your application with a Working Load Limit (WWL) of 3.0 Tonne.

Lifting Chain Set NOT supplied with unit.

For capacities greater than 3.0 Tonne please refer to the type MBWB30 Bulk Waste Bin specifications.

SPECIFICATIONS:

- Pocket Size 180 x 80 mm
- Pocket Centres 900 mm
- Working Load Limit 3 Tonnes
- Unit Weight 510 kg
- Volume Capacity 1.5 m³



Australia Wide Sales & Service

sales@materialshandling.com.au | www.materialshandling.com.au | 1300 25 84 07

MATERIALS
Handling PTY LTD *Working with ease.*