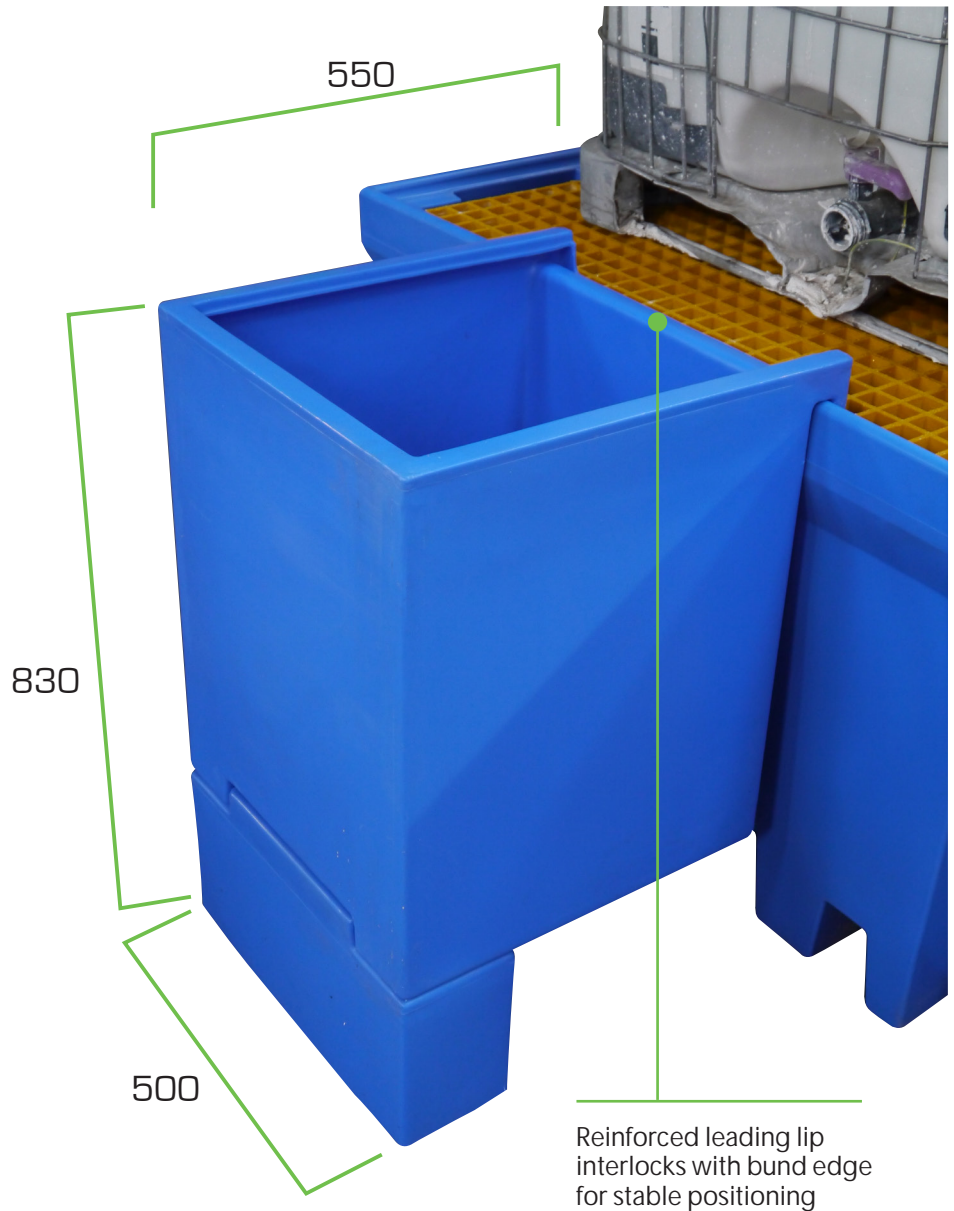


DISPENSING TRAY FOR SINGLE IBC SPILL PALLETS DMXP6101 SPECIFICATIONS

Our polyethylene dispensing tray to suit the Single IBC Bunded Pallet provides spill containment when decanting.

This unit will also spill back into the main bund should the container valve be left open.



SPECIFICATIONS

Product #	DMXP6101
Dimensions	500 mm W x 550 mm D x 830 mm H
Capacity	135L
Weight	8kg