

FORKLIFT SLIP-ON TOW JIB MFST200 SPECIFICATIONS



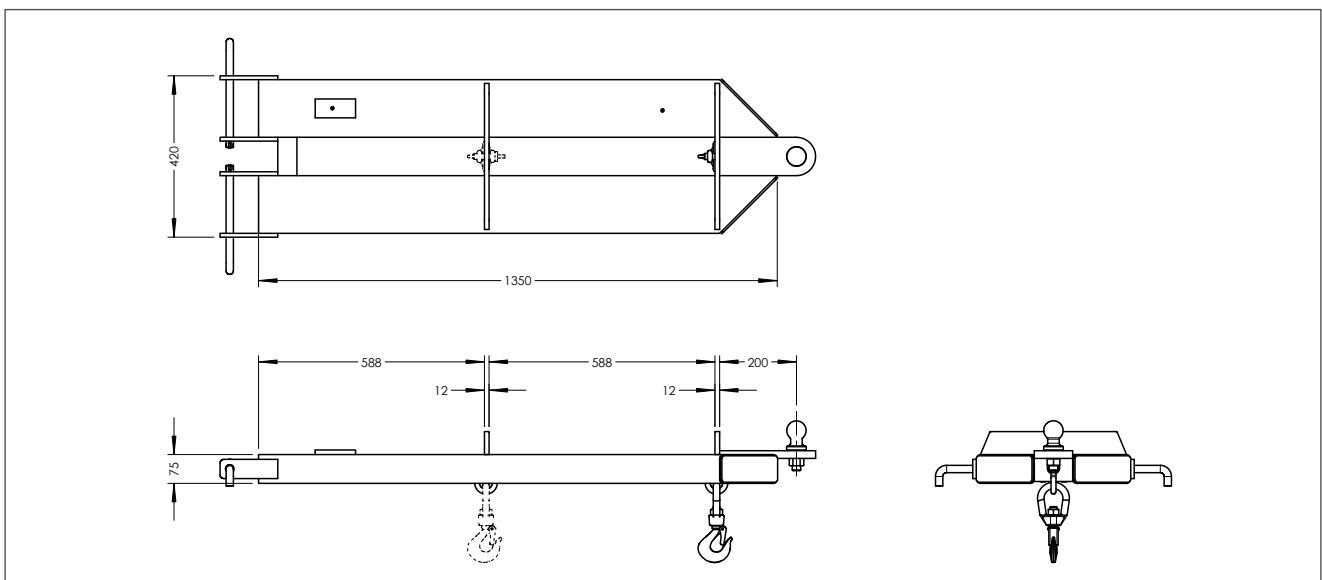
Designed for versatility, the MFST200 Slip-on Tow Jib is a dual purpose and easy to use forklift attachment that allows both towing and general lifting functionality.

FEATURES:

- 2000 kg capacity lifting jib
- 2 hook positions 600 mm apart
- 50 mm tow ball for towing loads up to 500 kg
- Supplied with a 2 T safety swivel hook and shackle
- Slip-on attachment and fork locking pins allow quick connection to a forklift
- Designed for greater turning angle
- Lightweight and simple to use
- Zinc finish

SPECIFICATIONS:

Working Load Limit (WLL)	2000 kg
Maximum Trailer Weight	500 kg
Load Centre	1200 mm
Unit Weight	50 kg
Fork Pocket Size	140 x 65 mm
Fork Pocket Centres	250 mm
Horizontal C of G	700 mm
Vertical C of G	-25 mm



NOTE: Towing of trailers by a forklift fitted with a tow jib can impose overturning forces on the forklift and additional force on the mast and braking system. The load being towed must be no greater than 25% of the mass of the forklift up to 500 kg total load weight. Towing should be carried out in a slow, smooth and controlled manner and on level ground. Sharp turning must be avoided at all time to prevent jack-knifing of the trailer.

Australia Wide Sales & Service

sales@materialshandling.com.au | www.materialshandling.com.au | 1300 25 84 07

MATERIALS
Handling PTY LTD *Working with ease*