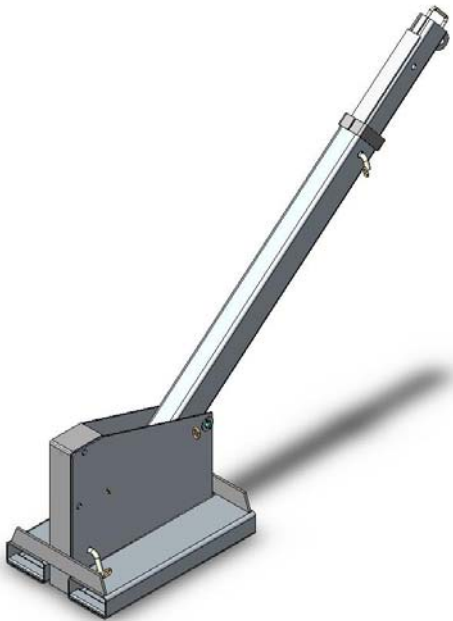


TILT JIB (LONG) MTJL25 SPECIFICATIONS

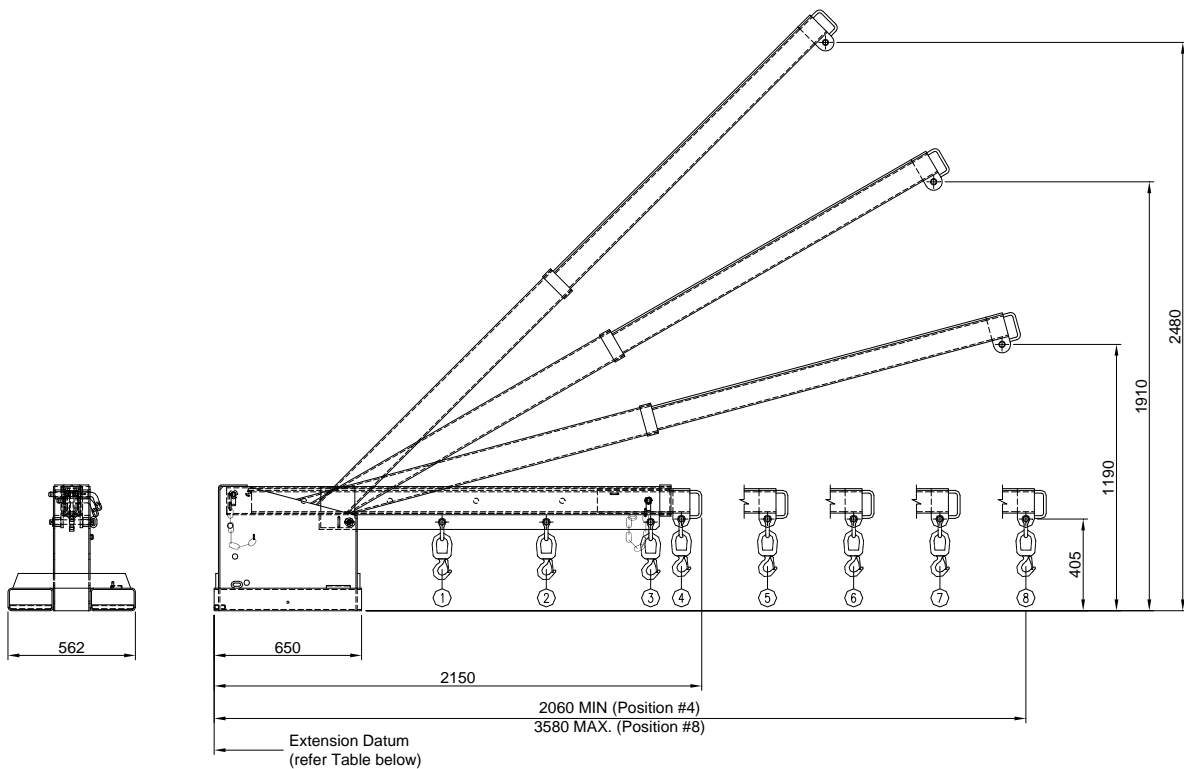


The type MTJL25 Tilt Jib (Long) is the most versatile Forklift Jib attachments in our range, allowing extra height to 2.48 metres, with a 3.58 metre reach when fully extended. This slip-on attachment is held to the Forklift by a safety chain. The Jibs overall length when closed is 2.15 metres.

The standard finish on the type MTJL25 Tilt Jib (Long) is Zinc Plated.

SPECIFICATIONS:

- Working Load Limit (WLL) 2500 kg Max.
- Unit Weight 180 kg
- Load Centre 1005 mm
- Pocket Size 185 x 65 mm
- Pocket Centres 362 mm
- Horizontal C of G 1010 mm
- Vertical C of G 225 mm



WORKING LOAD LIMIT (WLL) PER POSITION								
POSITION	1	2	3	4	5	6	7	8
EXTENSION (mm)	1005	1465	1925	2060	2440	2820	3200	3580
WLL (kg)	2500	2500	1900	1650	1250	650	380	240