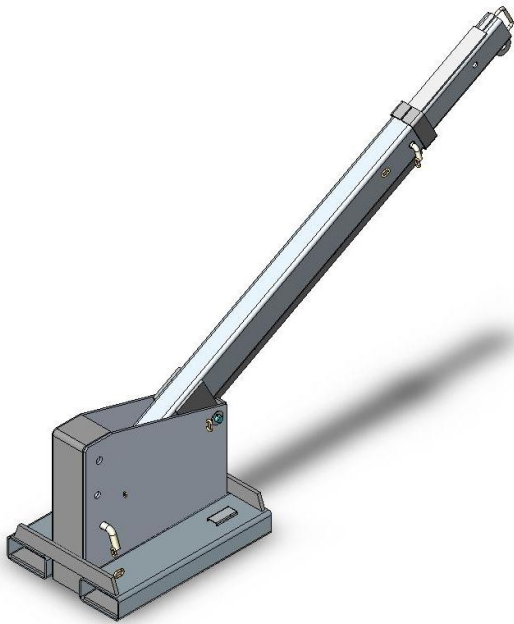


# TILT JIB (LONG) MTJL50 SPECIFICATIONS



The type MTJL50 Tilt Jib (Long) is the most versatile Forklift Jib attachment in our range, allowing extra height to 2.4 metres, with a 3.59 metre reach when fully extended. This slip-on attachment is held to the Forklift by a safety chain. The Tilt Jibs overall length when closed is 2.16 metres.

The standard finish on the type MTJL50 Tilt Jib (Long) is Zinc Plated.

## SPECIFICATIONS:

- Safe Working Load (SWL) 4750 kg Max.
- Unit Weight 240 kg
- Load Centre 1000 mm
- Pocket Size 185 x 75 mm
- Pocket Centres 370 mm
- Horizontal C of G 985 mm
- Vertical C of G 275 mm

