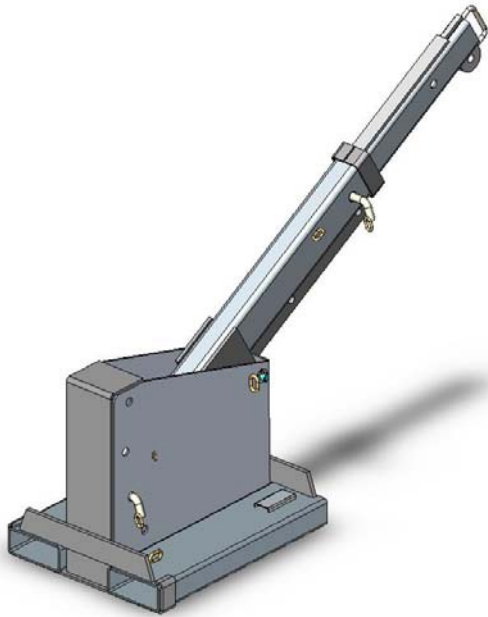


TILT JIB (SHORT) MTJS25 SPECIFICATIONS

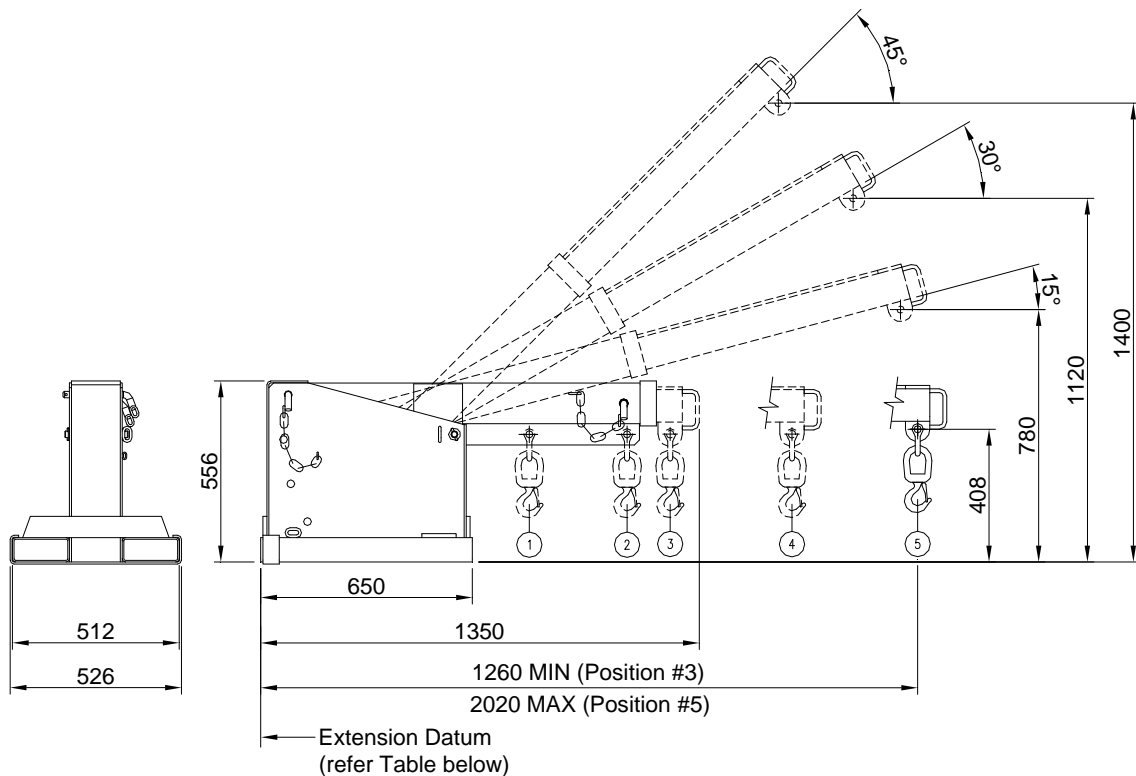


The type MTJS25 Til Jib (Short) is designed with a tilt facility allowing extra height to compensate for the hook and sling length lost when lifting with a Jib attachment. A maximum height of 1.4 metres can be gained while the Jib can be fully extended to 2.02 metres. This slip-on attachment is held to the Forklift by a safety chain. The Jibs overall length when closed is 1.35 metres.

The standard finish on the type MTJS25 Tilt Jib (Short) is Zinc Plated.

SPECIFICATIONS:

- Working Load Limit (WLL) 2500 kg Max.
- Unit Weight 130 kg
- Load Centre 825 mm
- Pocket Size 185 x 65 mm
- Pocket Centres 362 mm
- Horizontal C of G 650 mm
- Vertical C of G 300 mm



SAFE WORKING LOADS (SWL) PER POSITION

POSITION	1	2	3	4	5
EXTENSION (mm)	825	1125	1260	1640	2020
SWL (kg)	2500	1800	1200	900	750