

POWERLIFT GO - POWERED LIFTING TROLLEY SPECIFICATIONS

INTRODUCING THE POWERLIFT GO!

A POWERFUL LIFTER THAT IS GOOD FOR YOUR BACK AND YOUR HEALTH



MAXIMUM LOAD CAPACITY



OUTSTANDING ERGONOMICS



MOBILE AND AGILE

GMP

GOOD MANUFACTURING PRACTICE



MADE IN EUROPE



A universal lifter that covers a range of uses – such as in supermarkets, workshops, warehouses and offices, as well as pharmacies and libraries. Wherever heavy objects such as goods, work material, printing paper, files or even such items as beverage crates have to be transported from A to B, lifted onto shelves or removed from shelves – the mobile lifter Powerlift GO is the right choice. It enables effortless of loads up to 70 kg up to a height of 1.50 m. Thanks to a charging unit supplied, Powerlift GO can easily be recharged for ongoing use at a standard power socket.

VERY SIMPLE TO USE

The Powerlift GO can effortlessly transports heavy loads up to 70 kg. It features swivel wheels, which means the mobile lifter is especially easy to turn. This also allows it to be manoeuvred within a confined space. Parking brakes on the rear wheels ensure the device is secure when loading and unloading materials/products.



Australia Wide Sales & Service

sales@materialshandling.com.au | www.materialshandling.com.au | 1300 25 84 07

MATERIALS
Handling PTY LTD *Working with ease*

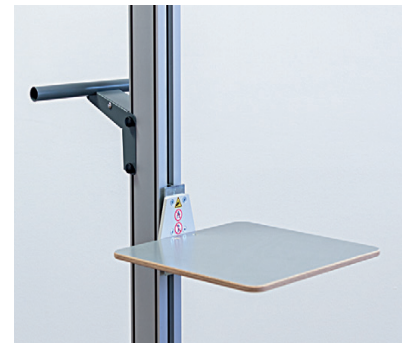
A QUALITY DESIGN

The chassis houses the charging socket and the on/off switch. It is very simple to charge the battery and switch the lifter on and off.

On the platform material can be shifted conveniently to the required working height without physical strain.

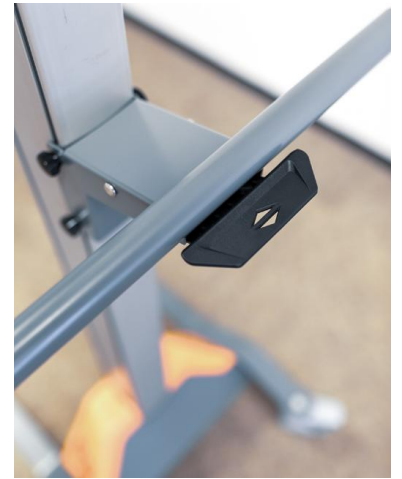


Charging socket and on/off switch.



There are adjustment screws on the handle that allow it to be adjusted to the user's height within a defined range. The load is raised and lowered by means of a control lever directly on the handle.

The automatic soft-start function ensures smooth operation, avoiding any jerky movements. Furthermore the operation of the lifting is nearly silent, making this perfect for hospital and healthcare industry.



TECHNICAL SPECIFICATIONS

Powerlift GO Mobile Lifter

Load Capacity: 70 kg

Lifting height: min. 120 mm / max. 1505 mm

Height of device: 1700 mm

Lifting base: 434 x 418 mm (platform)

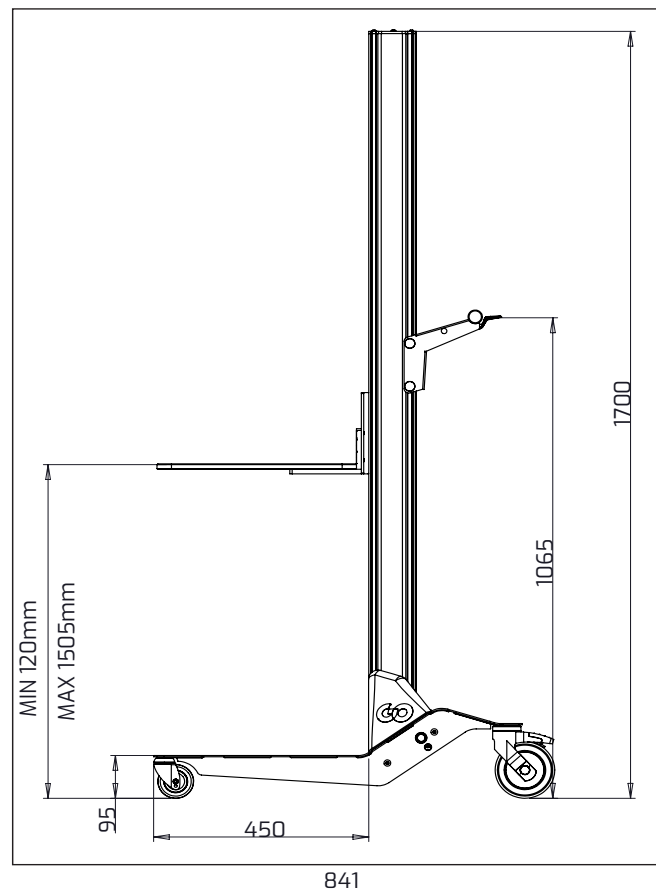
Chassis: 450 x 379 mm (L x B, inside)

Lifting speed: 125 mm/sec

Battery: 24V 7.2Ah

Weight without packaging: 26 kg

Weight with packaging: 29 kg



Australia Wide Sales & Service

sales@materialshandling.com.au | www.materialshandling.com.au | 1300 25 84 07

MATERIALS
Handling *Working with ease.*