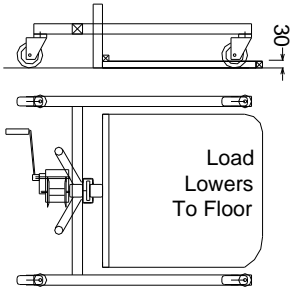
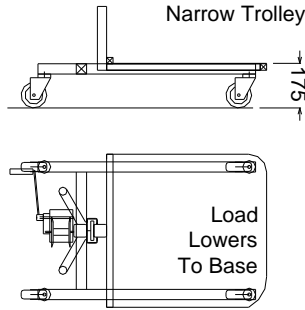


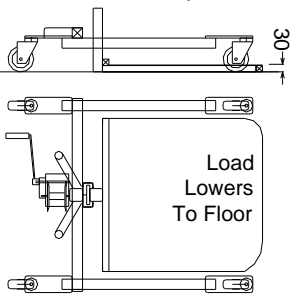
S : All Swivel
 Std Trolley Base



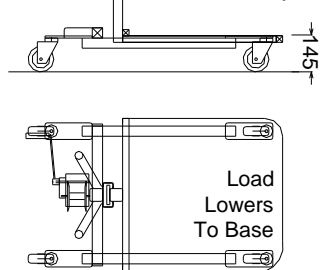
Sn : All Swivel
 Narrow Trolley Base



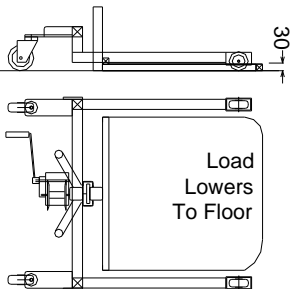
LS : Low Swivel
 Trolley Base



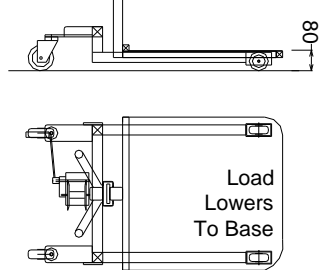
LSn : Low Swivel
 Narrow Trolley Base



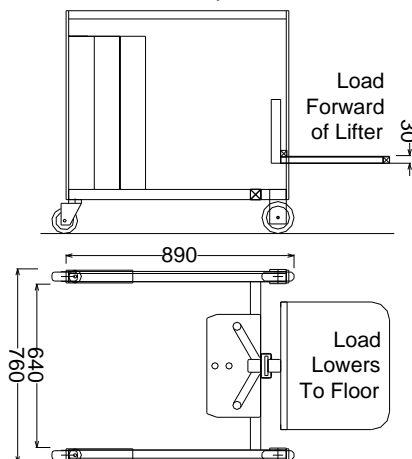
LO : Low Clearance
 Trolley Base



L0n : Low Clearance
 Narrow Trolley Base



CW : Counter Balanced
 Trolley Base



Custom Wheelbase Options

MatHand Mobile Lift Trolleys can be manufactured with a wide range of wheels & wheelbase combinations to suit your application and floor surface

Standard Wheel Combinations:

Trolley Model Series:

- S:** 100mm Swivel, rear with toe brakes
Polyurethane, ball bearings
- N:** 250mm Pneumatic rubber
- G:** Rear 200mm Solid rubber
Front 75mm swivel
- Cw:** Rear 100mm swivel with toe brakes
Front 125mm fixed castors

- Swivel castors wheels**
- 75mm
 - 100mm
 - 125mm
 - 150mm
 - 200mm

Heavy Duty wheel combinations

- Pneumatic & Solid wheels**
- 200mm
 - 250mm
 - 325mm
 - 400mm

Custom Wheels

“A trolley is only as good as the wheels it runs on”