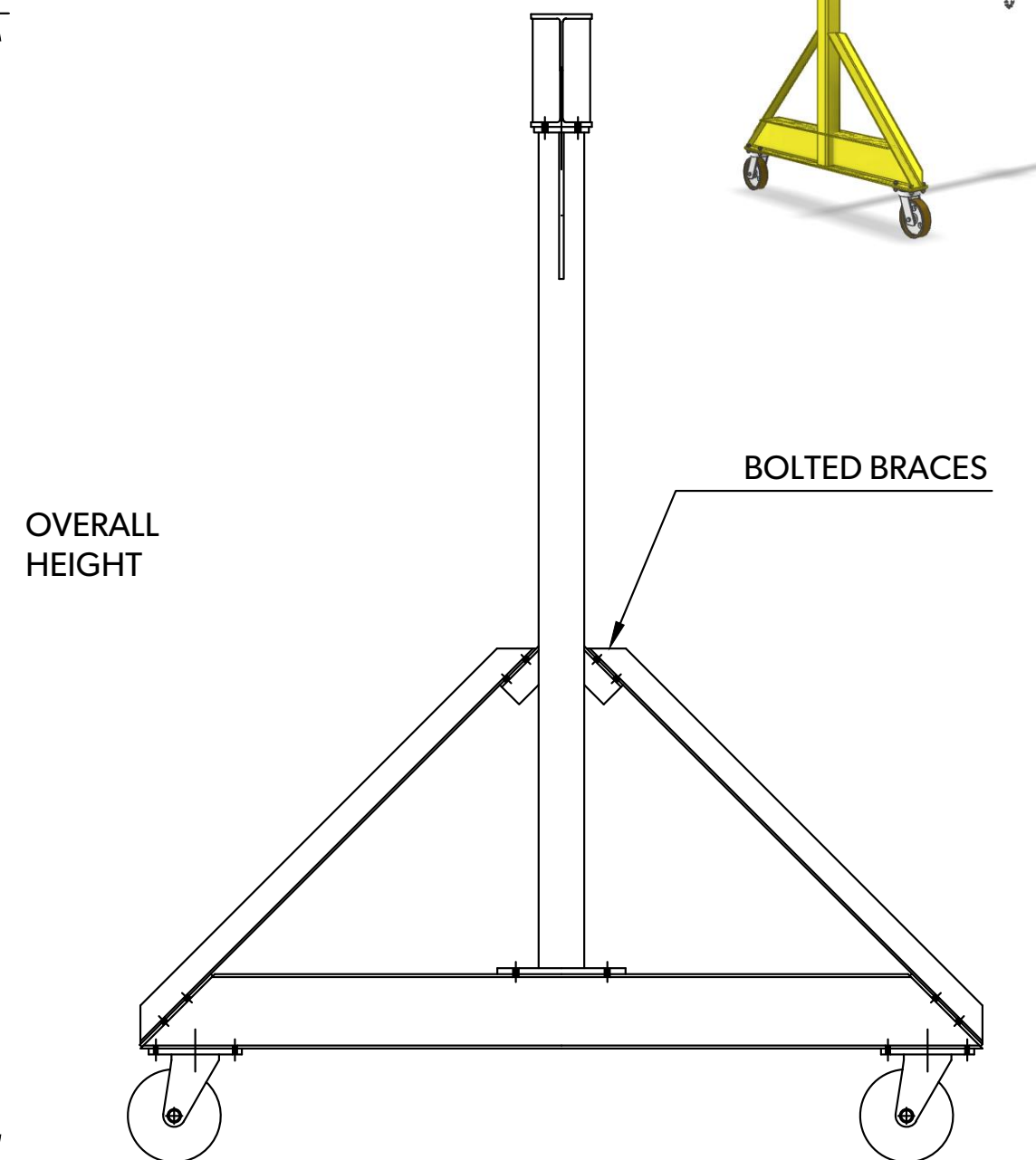
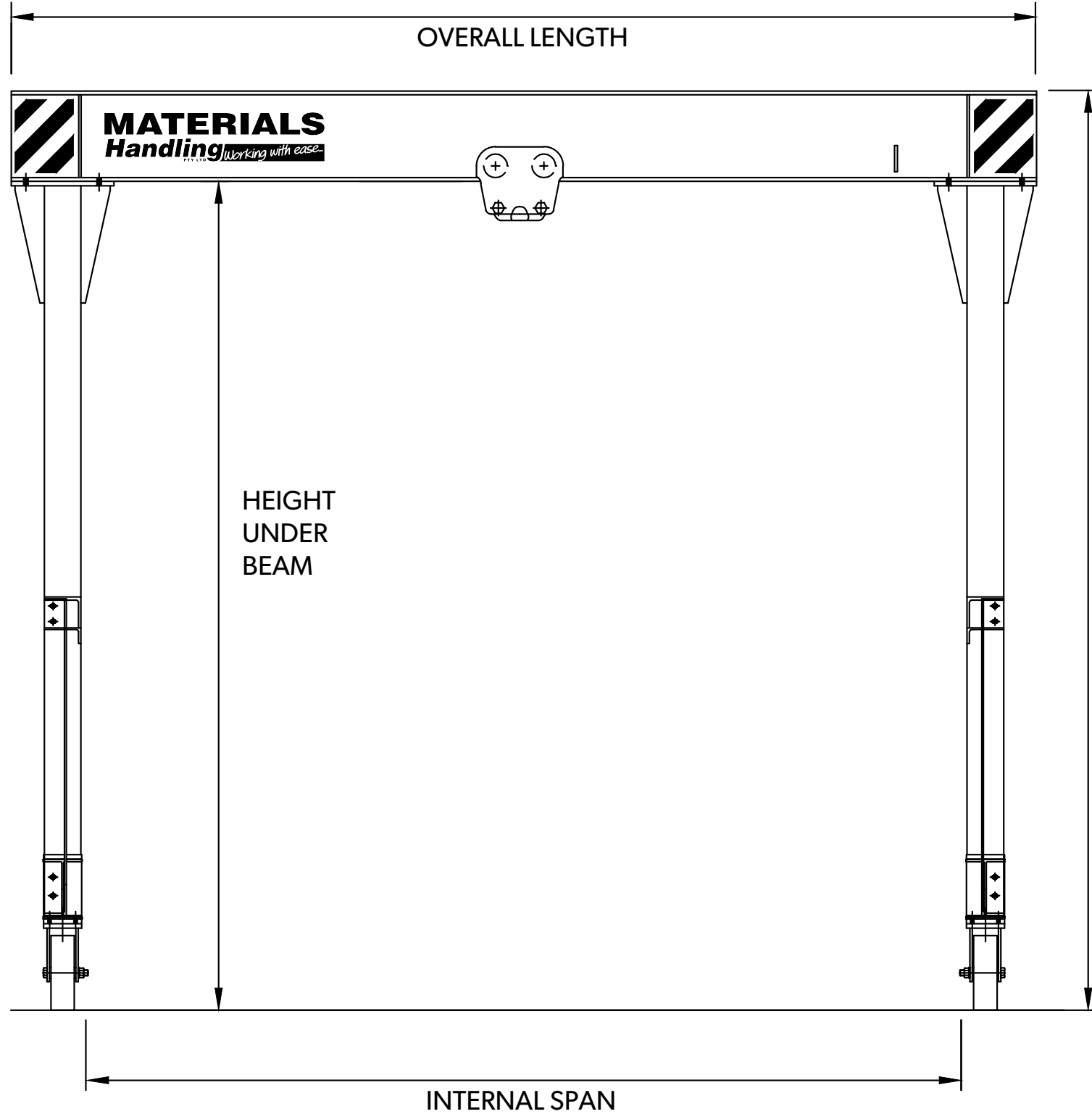


Capacity (kg):		
Internal span:		
Height under beam:		
Beam trolley:	Manual	Electric
Hoist:	Manual	Electric
Environment:	Indoor	Outdoor



Job No.		
Scale		Date
Drawn	MJB	08/05/2005
<b>MATERIALS Handling</b> Working with ease		
Client		

**MOBILE GANTRY CRANE  
GENERAL ARRANGEMENT DRAWING**

Drawing Number	Sheet 1 of 1	Rev.
Part Number	A3	0